

COMPLETE LINE




VCW

TECNOLOGIA EM RETENÇÃO DE FLUXOS

www.vcwvalvulas.com.br

CONCENTRIC BUTTERFLY VALVE SERIES WC9 AND W92

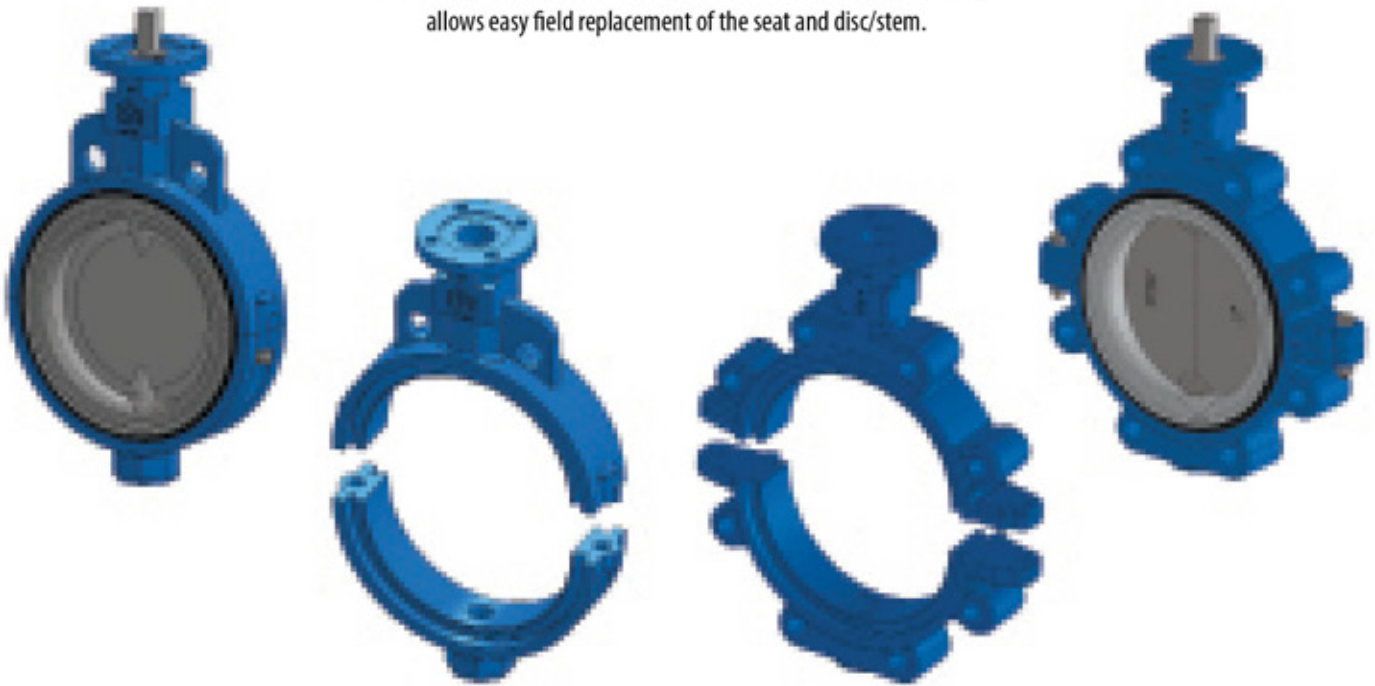
The Vales Serie WC9 - TYPE WAFER and Serie W92 - TYPE LUG are Bipartite Concentric butterfly valves. With a versatile design, it introduces several innovations that set it apart from other valves on the market, aiming to serve the entire industrial market with excellence.

CHARACTERISTICS

- ✓ WC9 - Wafer Type: DN 50mm (2") – 300mm (12")
- ✓ W92 - Type Lug: DN 50mm (2") – 300mm (12")
- ✓ Construction: ABNT 15768 | API 609A | ISO 5752 S20
- ✓ Pressure rating: PN10 – PN16
 - 150psi (Elastomer sealing)
 - 150psi (PTFE sealing)
 - 100psi (PTFE sealing and PTFE coated disc)
- ✓ Installation: NBR 7675 | ISO 2531 | ANSI | AWWA | others
- ✓ Actuation: Manual | Pneumatic | Electric

BODY VALVE

Cast iron split body, complying with drilling and mounting between flanges standards. Body internally lined by the seat. The split body allows easy field replacement of the seat and disc/stem.



CONCENTRIC SYSTEM

Body, disc and stem are designed in the concentric/centered system, in relation to the sealing and pipe. Valve sealing is based in the interference between the disc and rubber seat, ensuring valve sealing and tightness.



SELLING SEAT

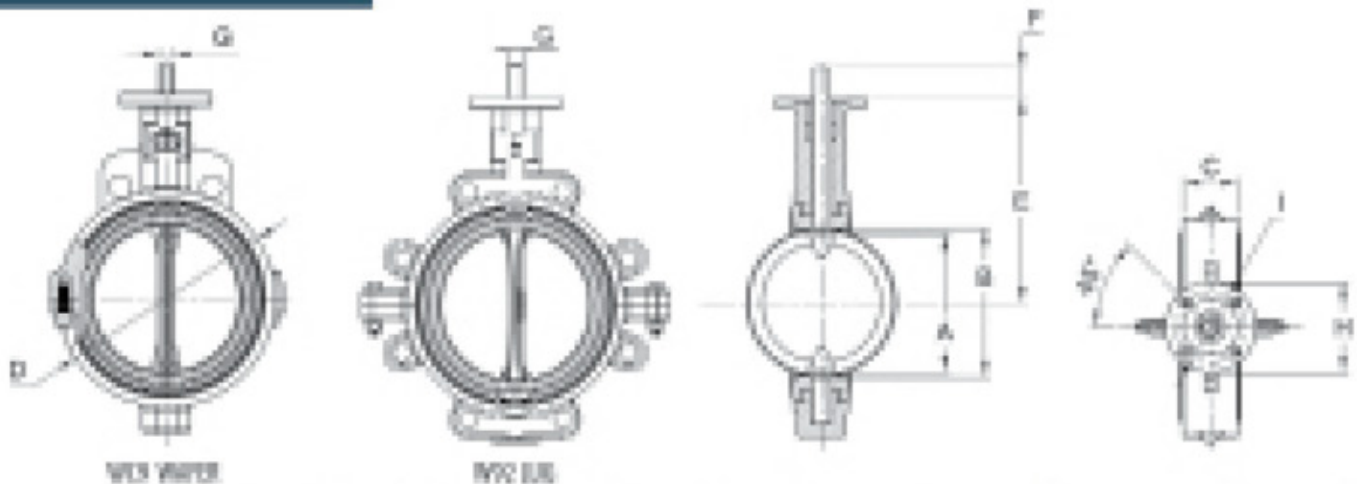
Replaceable seat embedded to the valve body.



VALVE COMPONENTS	MATERIAL*	SPECIFICATION
1 - BODY	Ductil Iron Carbon Steel Stainless Steel	ASTM A - 536 GR. 65/45/12 ASTM A - 216 WCB ASTM A - 351 CF8 / CF8M
2 - DISC	Stainless Steel Teflon coated steel	ASTM A - 351 CF8 / CF8M
3 - STEM	Stainless Steel 304 306	
4 - SEAT	NBR EPDM PTFE with EPDM core HYPALON, VITON and others	
5 - BUSHING	Acetal / Nylon	
6 - STEM PACKING	NBR	

*Other materials upon request

DIMENSIONS CHART



DN	A*	B	C	D	E	F	G	H	I (ISO 5211)	WEIGHT(KG)	
										WC9 WAFER	W92 LUG
50 (2")	34	53	43	105	140	18	11	90	F07	3,0	3,5
65 (2.½")	46,5	64	46	117	152	18	11	90	F07	3,5	4,5
80 (3")	64,5	78	46	130	159	18	11	90	F07	4,0	5,0
100 (4")	91	104	52	162	178	22	11	90	F07	6,0	7,0
125 (5")	115	127	56	187	191	22	14	90	F07	7,0	8,0
150 (6")	138	148	56	216	203	30	14	90	F07	10,0	11,0
200 (8")	189	199	60	271	241	30	17	125	F10	14,5	17,0
250 (10")	242	250	68	330	273	32	22	150	F10	24,0	28,0
300 (12")	291	300	78	376	311	32	22	150	F10	34,0	37,0

*Other materials upon request

*The "A" dimension is the minimum diameter of the pipe and flange to be used without damage to the disc when the valve opens.

DRIVES AND ACCESSORIES FOR SERIES WC1/WC2/WC3 E WC9/W92

ACTUATORS

- Lever
- Gear Box
- Gear Box and Emergency
- Pneumatic Actuator
- Electric Actuator
- Hydraulic Actuator
- Others

ACCESSORIES


- Solenoid Valve (directional)
- Limit Switch
- Flow Control Valve
- Regulating Filter
- Stem Extension
- Locking Device
- Others



TECNOLOGIA EM RETENÇÃO DE FLUXOS

Rua Yashica, 487 – Jd. Gonçalves

CEP - 18016-440 - Sorocaba/SP

 + 55 (15) 3238-5300

vendas@vcwvalvulas.com.br

www.vcwvalvulas.com.br