

COMPLETE LINE




VCW

TECNOLOGIA EM RETENÇÃO DE FLUXOS

www.vcwvalvulas.com.br

DUAL PLATE CHECK VALVE

Dual Plate Check Valve (VRDP), designed to work in pump boosters, backflow prevention and no-slam in piping, to be installed between flanges ANSI / DIN.

CHARACTERISTICS

- ✓ Wafer Type: DN 50mm (2") – 1200mm (48")
- ✓ Body Material: Ductil iron, carbon steel, stainless steel, others.
- ✓ Disc material: Ductil iron, carbon steel, stainless steel, others.
- ✓ Seat: BUNA-N | EPDM | Viton
- ✓ Pressure rating: PN10 – PN50 / 150# / 300#
- ✓ Installation: NBR 7675 ANSI | AWWA | others

BODY VALVE

Compact and light body enables easy installation and maintenance. Hot vulcanized elastomer seat in the body with O-ring, provides sealing and tight in high and low pressure, extending useful life

MATERIALS

Ductil iron ASTM A536 GR 65.45.12; cast carbon steel (WCB), stainless steel (CF8, CF8M, CF3, CF3M).

SEALING

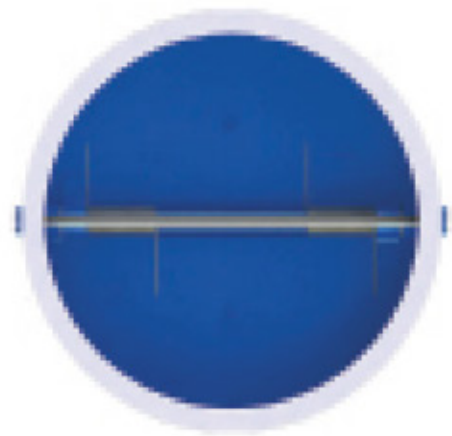
Buna-N, EPDM, Neoprene, Vito, Teflon,
Spring: Stainless Steel AISI 302, 304, 316 or Inconel

ENDS

Wafer Type to install between flanges ANSI, DIN, AWWA Standards

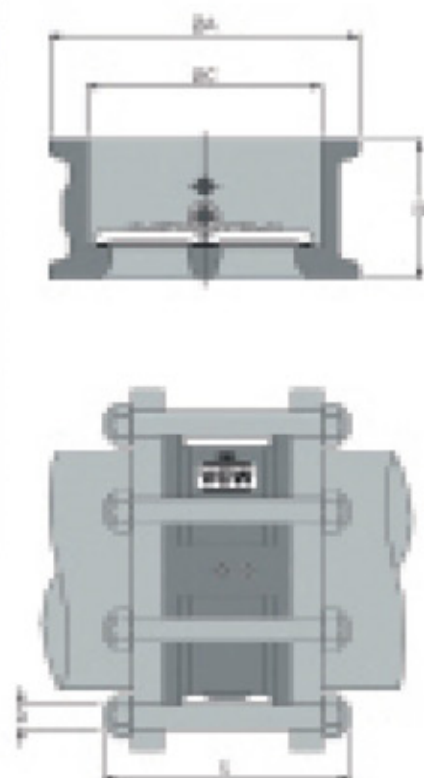
TEST AND INSPECTION

According to API 598 Standard

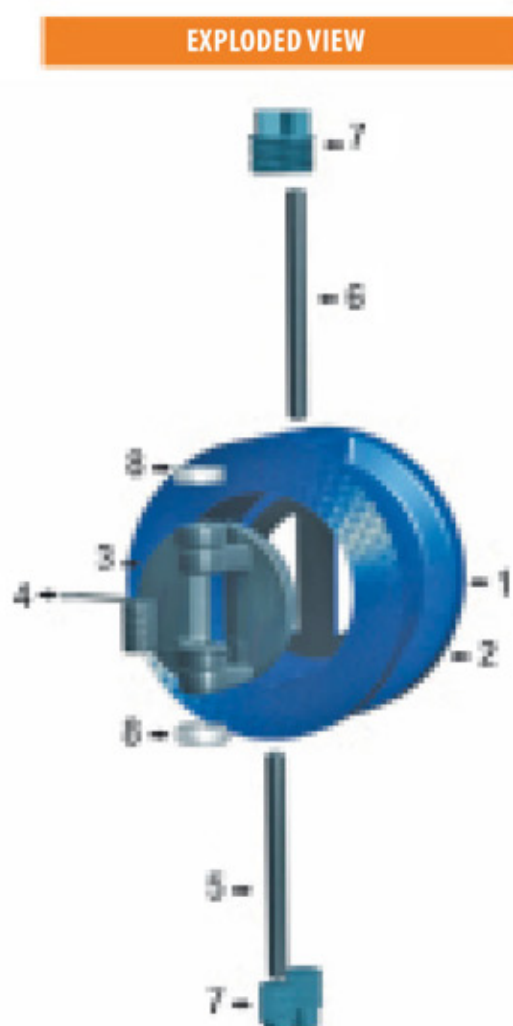


DN MM/POL.	DIMENSIONS IN MM 150#					
	A	B	C	D	E	WEIGHT (KG)
50 (2")	104	60	60	5/8"	4	2,7
65 (2.1/2)	125	67	82	5/8"	4	3,6
80 (3")	137	73	89	5/8"	4	5,5
100 (4")	174	73	116	5/8"	8	7,3
125 (5")	193	98	141	3/4"	8	9,5
150 (6")	221	98	168	3/4"	8	16
200 (8")	279	127	219	3/4"	8	32
250 (10")	339	146	273	7/8"	12	48
300 (12")	409	181	324	7/8"	12	85
350 (14")	450	184	356	1"	12	93
400 (16")	510	191	406	1"	16	156
450 (18")	549	203	457	1.1/8"	16	178
500 (20")	606	219	508	1.1/8"	20	205
600 (24")	718	222	610	1.1/4"	20	259
700 (28")	831	305	723	1.1/4"	28	440
750 (30")	879	305	750	1.1/4"	28	560
800 (32")	936	368	800	1.1/2"	28	600
900 (36")	1044	368	928	1.1/2"	32	980
1000 (40")	1158	432	1014	1.1/2"	36	1200
1050 (42")	1215	432	1050	1.1/2"	36	1320
1200 (48")	1381	524	1219	1.1/2"	44	1996

DN MM/POL.	DIMENSIONS IN MM 300#					
	A	B	C	D	E	WEIGHT (KG)
50 (2")	111	60	65	5/8"	8	2,7
65 (2.1/2)	130	67	73	3/4"	8	3,6
80 (3")	149	73	92	3/4"	8	6,4
100 (4")	181	73	114	3/4"	8	7,3
125 (5")	212	98	141	3/4"	8	14
150 (6")	250	98	168	3/4"	12	19
200 (8")	308	127	219	7/8"	12	35
250 (10")	362	146	273	1"	16	50
300 (12")	422	181	324	1.1/8"	16	89
350 (14")	482	222	356	1.1/8"	20	178
400 (16")	538	232	406	1.1/4"	20	229
450 (18")	595	264	457	1.1/4"	24	304
500 (20")	652	292	508	1.1/4"	24	376
600 (24")	772	318	610	1.1/2"	24	527



PIECE	STRUCTURAL MATERIAL
1 - BODY	ASTM A536 Gr. 65-45-12 ASTM A216 Gr. WCB ASTM A351 Gr. CF8M
2 - SEALING RING	Buna-N EPDM Silicone Hy Palon Viton Neoprene Elastomers with special composition under request Metal/Metal
3 - DISC	ASTM A536 Gr. 65-45-12 ASTM A216 Gr. WCB ASTM A351 Gr. CF8M ASTM A351 Gr. CF8 Bronze and its alloys
4 - SPRING	AISI - 302, 304 e 316
5 - AXIS	AISI - 304 e 316
6 - LIMITER PIN	AISI - 304 e 316
7 - PLUG SET	CARBON STEEL
8 - SPACER	AISI - 304 e 316, NYLON






TECNOLOGIA EM RETENÇÃO DE FLUXOS

Rua Yashica, 487 – Jd. Gonçalves

CEP - 18016-440 - Sorocaba/SP

 + 55 (15) 3238-5300

vendas@vcwvalvulas.com.br

www.vcwvalvulas.com.br